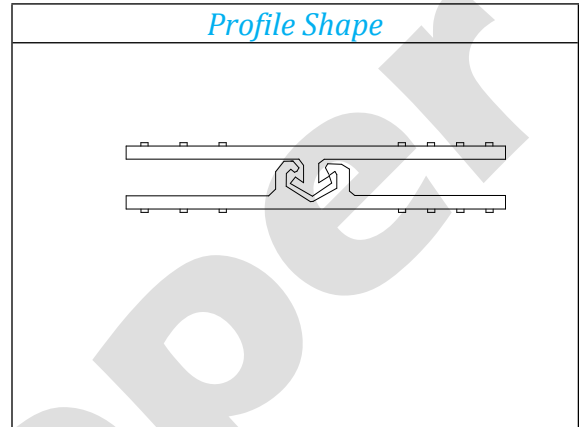




## Zipper Specifications of PE10LL2

Description	
Material:	Low Density Polyethylene(LDPE)
Opening and closing Forces:	20 N/m av. $\pm 10\%$ mm and 55 N/m av. $\pm 10\%$ mm.
Features:	Can be made by adding different compounds to desired strength and softness. Soft Seal material with special sealant Suitable for food contact applications.
Application:	As per need big to small pouches.



Profile Dimensions	
Total width (mm)	Weight per meter (gm)
10.0 mm $\pm 0.2$ mm	4.2 $\pm$ 0.1

Reel with Zipper	
Length (Nominal Meter)	Gross weight (kg)
4000	20

Reel Specifications	
Material	ABS
Transported	Vertically

Standard delivery
24 Reels/Pallet (96000 meters)

properties
Zipper material(s): Soft Seal material with special sealant Suitable for food contact applications.
Sealing temperature range: 93-137 °C

Indication on zipper
Indication sticker for opening/consumer side.

Reel Dimensions	
Flange diameter(mm)	285
Shaft hole diam.(mm)	50
External width(mm)	455

Packing Specifications	
Pallet size (mm)	Length $\times$ width $\times$ Height 1040 $\times$ 1100 $\times$ 2220

Recommended storage condition
Store indoors with original packaging at 10-40°C,dry and at a relative humidity below 70%
Protect against strong light (sun, electric lighting) and strong heat ( radiation, electric heaters)

Disclaimer
This information is accurate to the best knowledge of c k zipper. The suitability of this material for a particular application must be determined by the end user. C k zipper does not claims for consequential lost. . We reserve right to change specification without prior notice.

Email: [info@ckzipper.com](mailto:info@ckzipper.com)  
 Website: [www.ckzipper.com](http://www.ckzipper.com)